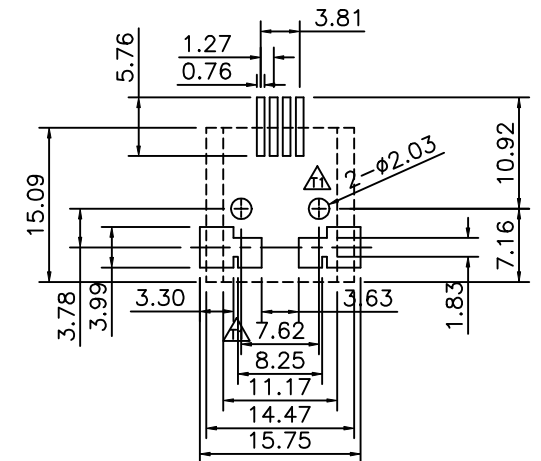
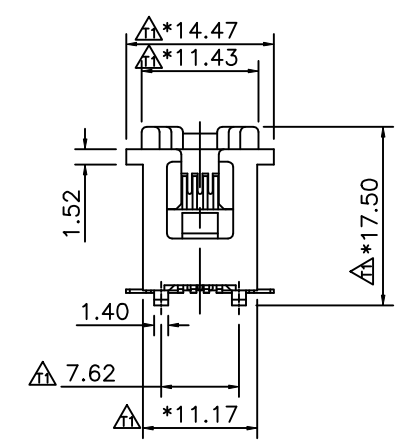
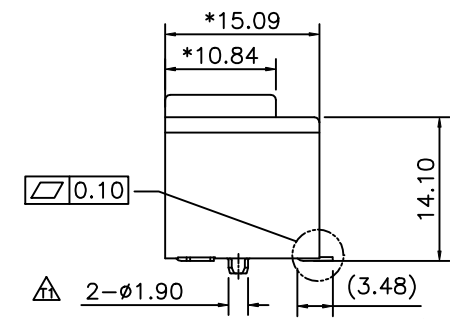
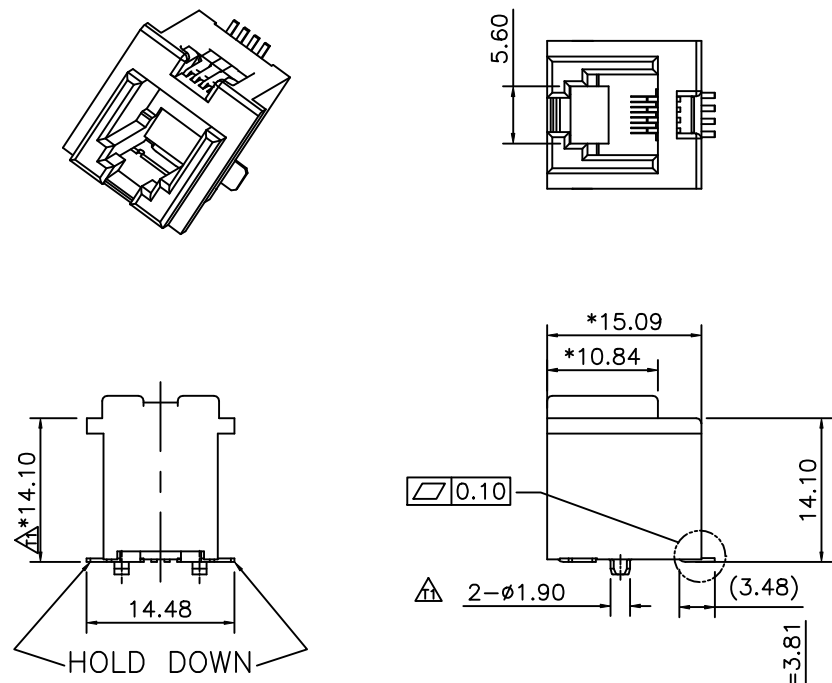
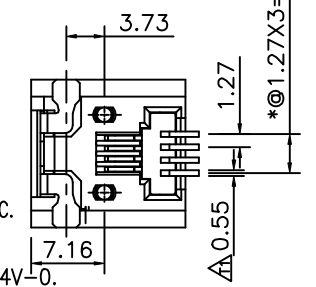


| REVISION RECORD |     |                |         |      |
|-----------------|-----|----------------|---------|------|
| REV             | ECO | DESCRIPTION    | DRFT    | CHKD |
| 1               |     | MODIFY&DEL DIM | ANKUE   |      |
|                 |     |                | 2/28/06 |      |



- NOTES:
- ELECTRICAL:
- VOLTAGE RATING : 125 VAC RMS.
  - CURRENT RATING : 1.5 AMP.
  - CONTACT RESISTANCE : 35 MILLIOHMS MAX.
  - INSULATION RESISTANCE : 1000 MEGOHMS MIN @ 500 VDC.
  - DIELECTRIC STRENGTH : 1000 VAC RMS 60Hz, 1MIN.
- MECHANICAL:
- HOUSING MATERIAL : NYLON+30%G.F(FR52) UL94V-0.  
HOUSING COLOR : BLACK.
  - CONTACT MATERIAL : PHOSPHOR BRONZE t=0.35mm.
  - PLATING : GOLD PLATING OVER NICKEL.
  - OPERATING LIFE : 750 CYCLES MIN.
  - PCB RETENTION POST-SOLDER: 10 LBS MIN.



PRODUCTS PART NO:  
 ROHS PART NUMBER: E5244-7U0BSX-L  
 2-6u" 4-30u"

- ENVIRONMENTAL:
- STORAGE : -40°C TO +85°C.
  - OPERATION: -40°C TO +85°C.
  - IR REFLOW SOLDERING TEMPERATURE: 255°C TO 265°C 5-10 SECONDS.
- MATES WITH MODULAR PLUG CONFORMING TO  
 FCC PART 68, SUBPART F.  
 CUL FILE NO. E163191

|                        |                            |             |            |                         |                                |  |
|------------------------|----------------------------|-------------|------------|-------------------------|--------------------------------|--|
| DETACHED LISTS         | MM (INCH)                  |             | DFTO ANKUE | DATE 02/11/06           | FULL RISE ELECTRONIC CO., LTD  |  |
|                        | TOLERANCES EXCEPT AS NOTED |             | CHKD/SHJL  | DATE 2006/3/10          |                                |  |
|                        | MM                         | ±           | MFO        | DATE                    | TITLE<br>TOP ENTRY SMT 4P JACK |  |
|                        | .0 ±0.20                   | ±           | APPVL/Samy | DATE 2006/3/10          |                                |  |
| .00 ±0.15              | ±                          | MATERIAL :  |            | DRAWING NO. GE523132-LA |                                |  |
| .000 ±0.075            | ±                          | ANGLES ±    |            | /PART NO. SEE NOTE      |                                |  |
| THIRD ANGLE PROJECTION |                            | QTY :       |            | SIZE A3                 |                                |  |
|                        |                            | FINISH :    |            | REV T1                  |                                |  |
|                        |                            | SCALE : 2:1 |            | DO NOT SCALE DRAWING    |                                |  |
|                        |                            |             |            | SHEET 1 OF 1            |                                |  |